

EuroLite

Steel Doors & Windows

ET68-WD-X

ET68 EXTERIOR INSWING SINGLE DOOR

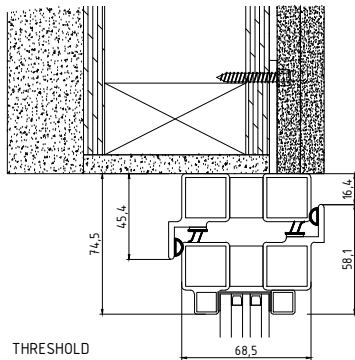
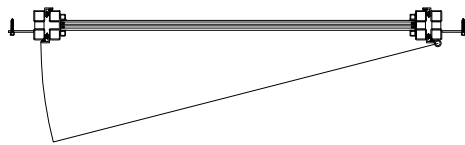
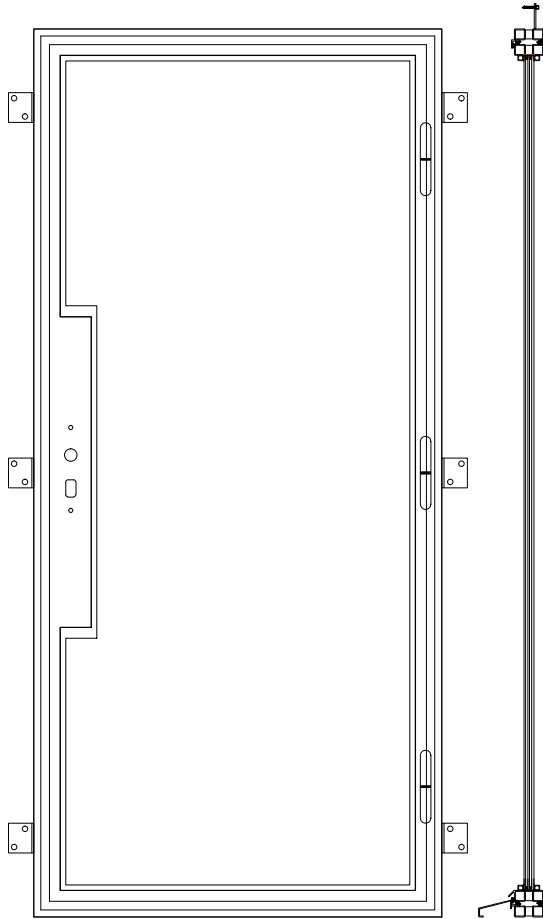
Locking: TBD
 Operation:
 Hinges: Welded Steel Barrel
 Hinges w Brass Bearing

Glazing:
 Dual/Triple pane Krypton Gas Filled
 Integral Noise Control Included
 Low E Options Available
 Fully Tempered
 Spacer, Black
 Factory Installed Wet Glazing w Steel Stop
 1/2" and 1" Muntins Available - FDL

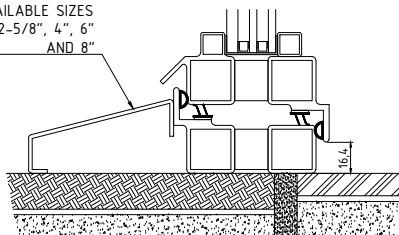
Climate Proofing:
 Integral Thermal Break
 Dual Thermal Seals
 Dual Air Seals

Frame:
 Depth: 68 mm
 Attachment: Mounting Lug
 Finish:
 Thermally Bonded Zinc Galvanized
 2 Coats Epoxy Primer
 3 Coats Acrylic Lacquer
 3 Coats Clear Polyurethane

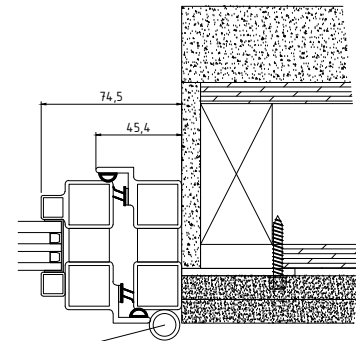
* MUNTINS ARE OPTIONAL



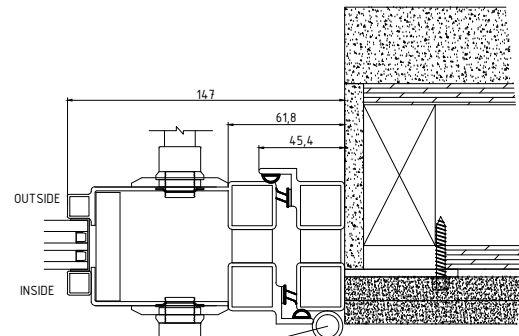
THRESHOLD
 EXTENSION,
 AVAILABLE SIZES
 2-5/8", 4", 6"
 AND 8"



VERTICAL SECTION



JAMB & STILE



JAMB & LOCK
 BOX