

EuroLite

Steel Doors & Windows

IN50PD-11

IN50 INTERIOR SLIDING POCKET DOOR-SINGLE ONE POCKET

Locking:

Operation: Handle

Hinges: 8 rollers per slab - quiet operation

Frame:

Depth: 50 mm

Attachment: Lugs or Thru Bolts

Finish:

Thermally Bonded Zinc Galvanized

2 Coats Epoxy Primer

3 Coats Acrylic Lacquer

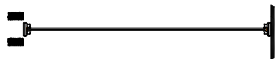
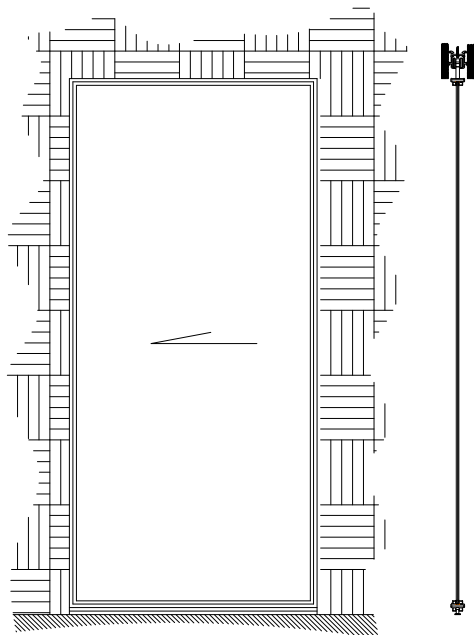
3 Coats Clear Polyurethane

Glazing:

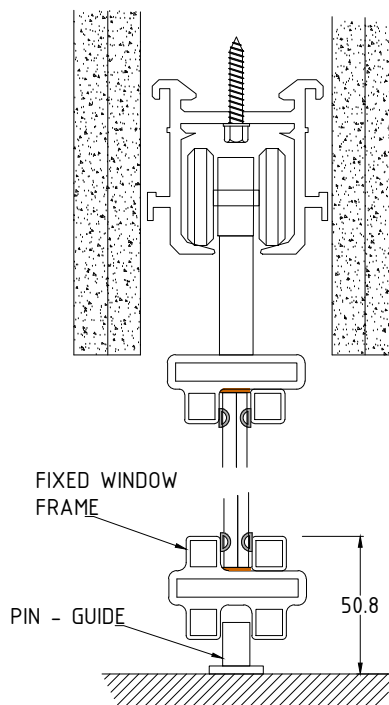
Dual pane

Factory Installed Glazing w Steel Stop

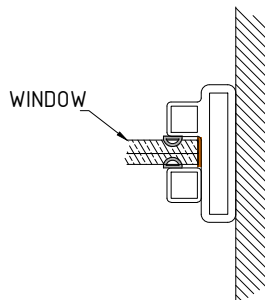
Muntins Available - FDL



* MUNTINS ARE OPTIONAL



VERTICAL SECTION



HORIZONTAL SECTION