

EuroLite

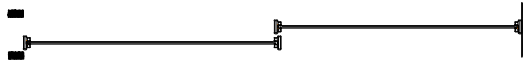
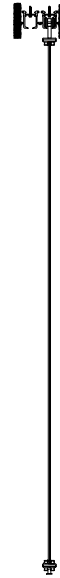
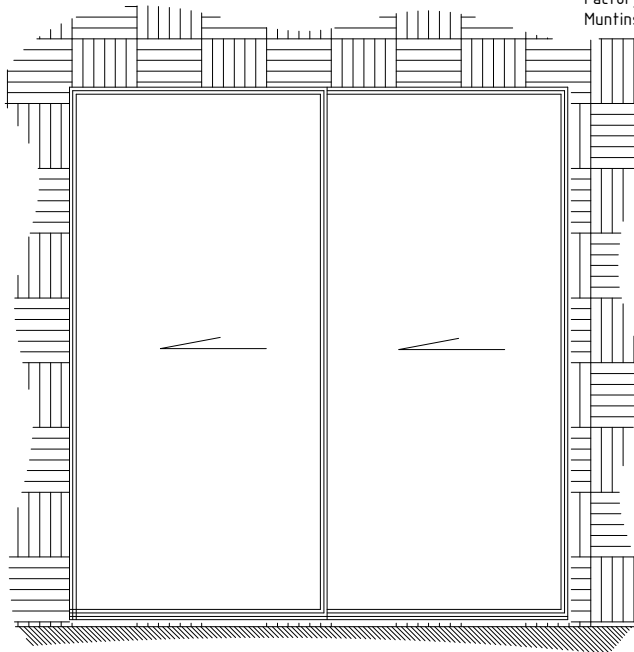
Steel Doors & Windows

IN50 INTERIOR SLIDING POCKET DOOR-DOUBLE ONE POCKET

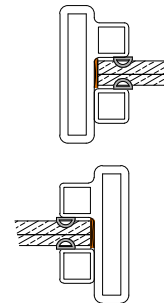
Locking:
Operation: Handle
Hinges: 8 rollers per slab - quiet operation

Glazing:
Dual pane
Factory Installed Glazing w Steel Stop
Muntins Available - FDL

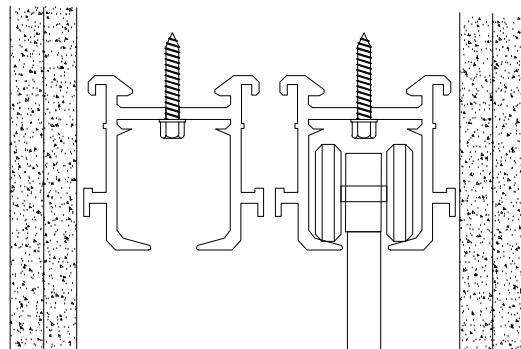
Frame:
Depth: 50 mm
Attachment: Lugs or Thru Bolts
Finish:
Thermally Bonded Zinc Galvanized
2 Coats Epoxy Primer
3 Coats Acrylic Lacquer
3 Coats Clear Polyurethane



* MUNTINS ARE OPTIONAL



MEETING STILES

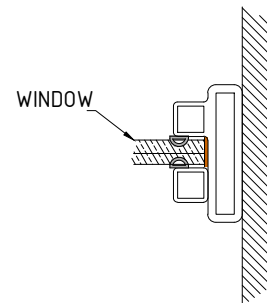


FIXED WINDOW FRAME

PIN - GUIDE

50.8

VERTICAL SECTION



WINDOW

HORIZONTAL SECTION