

EuroLite

Steel Doors & Windows

ET68-SD-XO
EXTERIOR SLIDING DOOR - SINGLE

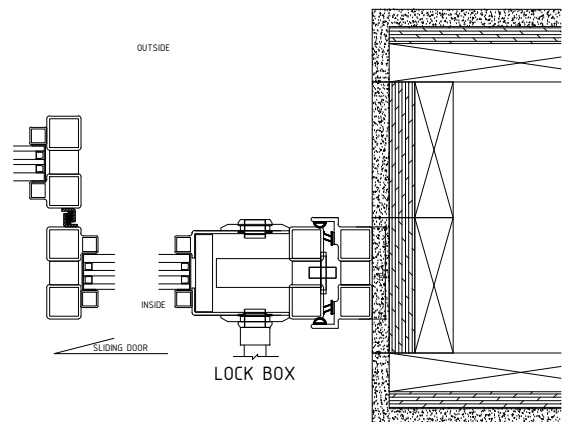
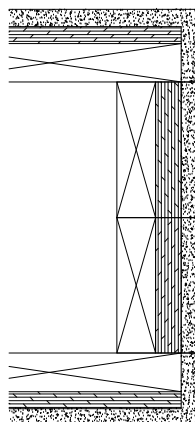
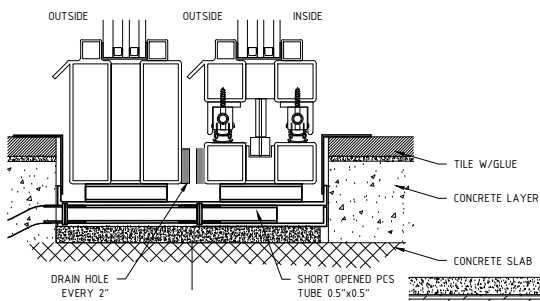
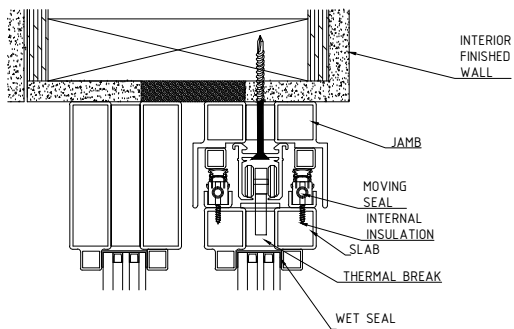
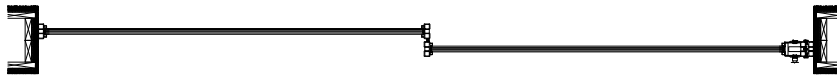
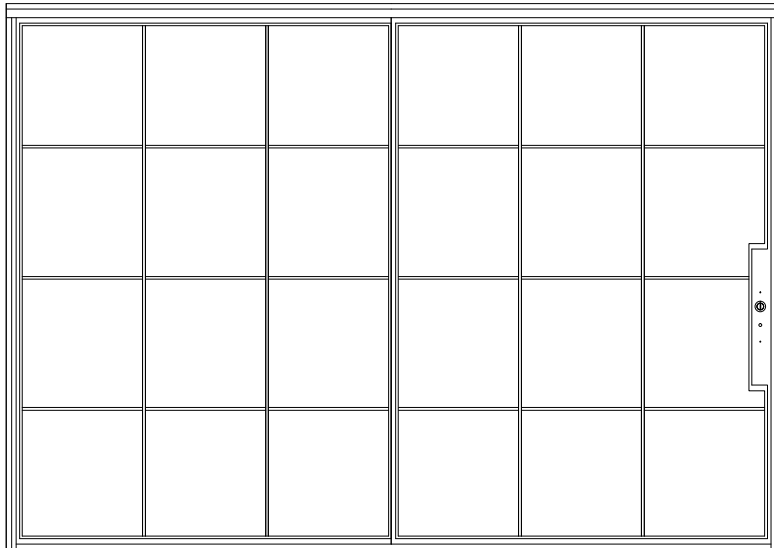
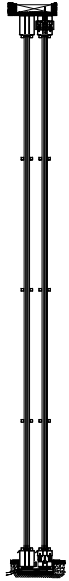
Locking: TBD
Operation:
Hinges: No

Glazing:
Dual/Triple pane Krypton Gas Filled
Integral Noise Control Included
Low E Options Available
Fully Tempered
Spacer, Black
Factory Installed Wet Glazing w Steel Stop
1/2" and 1" Muntins Available - FDL

Climate Proofing:
Integral Thermal Break
Dual Falling Seals

Frame:
Depth: 68 mm
Attachment: Mounting Lug
Finish:
Thermally Bonded Zinc Galvanized
2 Coats Epoxy Primer
3 Coats Acrylic Lacquer
3 Coats Clear Polyurethane

* MUNTINS ARE OPTIONAL



HORIZONTAL SECTION
(CLOSED POSITION)